

# Simply Awesome Simply Cool



Like a pair of Aces, **EX612** tops the brightness/dollar in 3.5K lumen category, and **EX615** brings the spec/dollar to a whole new level ever seen in this class.

We know life is full of choices with decisions sometimes hard to make. But, with Ace at hand, you win anyway.



## ■ Texas Instruments DarkChip3 DLP® Technology

Incorporated with Texas Instruments' latest & most advanced DarkChip3 DMD

## ■ 3500 ANSI Lumens & 3000:1 Native High Contrast

Advanced optical design in providing high brightness & crystal-clear native high contrast

## ■ New Generation Brilliant Color™ Technology

Incorporated with Texas Instruments' latest DDP2430 scaler to realize true 10-bit signal processing and 1.07 billion color displaying

## ■ 6 Default Display Modes + 2 User Adjustable Modes

Presentation / Bright / sRGB / Movie / Blackboard / Classroom + 2 User Modes to cater for all possible operation environments

## ■ Wireless Capability (Option)

An easy attached wireless dangle available (Direct connect to VGA port / no additional power adapter required) for IEEE802.11 b/g wireless connection

## ■ Dual Control System (EX615 only) with ID Programmable

RJ45 & RS232 Control with projector ID for more effective/efficient remote management/control (EX612 supports RS232 only)

## ■ "Help Key" Function (EX615 only)

"Help Key" on keypad & remote controller to guide end users through operation troubles/difficulties

## ■ Comprehensive Connectivity (EX615 only)

1 HDMI (support audio input) + 2 VGA in (YPbPr/RGB/SCART) + 1 S-Video + 1 Composite Video + 3 Audio in + 1 VGA out + 1 Audio out + 12V Relay-out + USB (for remote mouse & service)

## ■ Unmatched Product Quality / Reliability

- 5-year color guarantee
- 5-year imager guarantee
- Long-life lamp (3000/4000 hrs)
- Hassle free / filter free / minimum maintenance required
- Lowest cost of ownership

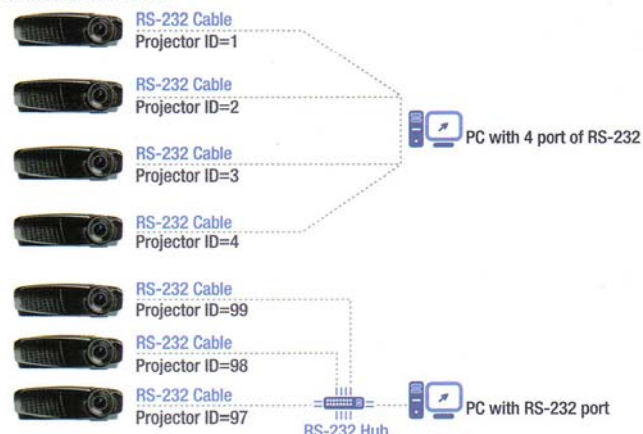
Specification	EX612	EX615
Display Technology	TI DLP® 0.55" XGA DC3 DMD Chip	
Resolution	Native: XGA (1024x768) Max: UXGA (1600x1200) 60Hz	
Brightness	3500 ANSI Lumens	
Contrast Ratio	3000:1	
Displayable Colors	1.07 billion colors	
Projection Lens	F# 2.41 ~ 2.55, f = 21.8 ~ 24mm; 1.1x Manual Zoom / focus lens	F# 2.4 ~ 2.66, f = 18.2 ~ 21.8mm; 1.2x Manual Zoom / focus lens
Projection Image Size	22.9 ~ 302.85 inches	30.7 ~ 307.6 inches
Projection Distance	1.0 ~ 12 meters	1.2 ~ 10 meters
Throw Ratio	1.95 ~ 2.15:1 (distance/screen width)	1.6 ~ 1.92:1 (distance/screen width)
Keystone Correction	±40° (vertical)	
Aspect Ratio	4:3 Native, 16:9 Compatible	
Scan Rate	Horizontal: 15.3~ 91.1KHz; Vertical: 43 ~ 85 Hz	
PC Compatibility	UXGA, SXGA+, SXGA, XGA, SVGA, VGA Compression, VESA standards PC & Macintosh compatible	
Video Compatibility	HDTV (720p, 1080i/p), SDTV (480i/p, 576i/p), Full NTSC, PAL PAL-M, PAL-N, SECAM	
Input Connections	VGA(YpBPr/ RGB/ SCART)x2 S-Video x1 Composite x1 Mini-jack Audio x1 IR receiver (Front & Top) x 2	HDMI(Support audio in) x1 VGA (YpBPr/ RGB/ SCART) x2 S-Video x1 Composite x1 Mini-jack Audio (R/L) input x3 IR receiver (Front & Top) x2
Output Connections	VGA x1	Mini-jack Audio x1
Control Functions	RS232 x1 Mini USB Port x 1 (Remote mouse/ service)	RS232 x1 Mini USB Port x 1 (Remote mouse/ service) RJ45 x 1 (LAN for network control interface) +12V Relay output x 1
Speaker	2W speaker x1	5W speaker x 2
Lamp Type	230-watt replaceable lamp	
Estimated Lamp Life	4000 hours (STD mode) / 3000 hours (Bright mode)	
Power Supply	Universal AC input 100 ~ 240V; 50/60 Hz	
Operational Noise	30dB (STD mode)	
Dimensions (WxDxH)	324mm x 234mm x 97mm	
Weight	2.86 kg / 6.3 lbs	
Uniformity	85 %	

## Projection Distance / Image Size (4:3 diagonal)

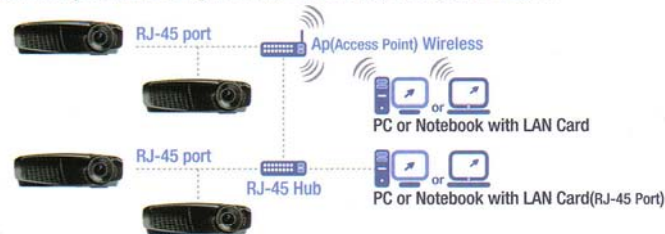
Projection Distance (meter)	Image size range (inch)	
	EX612	EX615
1.5	34.3 ~ 37.9	38.4 ~ 46.1
2.0	45.8 ~ 50.5	51.3 ~ 61.5
3.0	68.7 ~ 75.7	76.9 ~ 92.3
4.0	91.6 ~ 101.0	102.5 ~ 123.0
5.0	114.5 ~ 126.2	128.2 ~ 153.8
10.0	228.2 ~ 252.4	256.3 ~ 307.6
12.0	274.7 ~ 302.8	

## Network Management

Control plural EX612/EX615 by wire via RS-232 hub or directly with projector ID in EX612/EX615



Control plural EX615 by wireless or wire via RJ45 port in EX615



## 5-Year Color Guarantee & 5-Year Imager Guarantee

We are so confident that the EX612/EX615 colors will not fade that we guarantee the colors will remain vibrant and vivid, even after many years of use.



The large screen experience demands sharp, flawless images with instant impact and lasting crystal clear pictures. To retain image clarity, Optoma projectors are designed with DLP® technology, preventing degradation over time and consistent pixel performance. The Imager Guarantee ensures a precise picture performance for a minimum of five years.



## True Vivid™ Technology

Optoma proprietary TrueVivid™ color enhancement technology affords better balanced chrominance and luminance for life-like colors, giving the viewer the ultimate visual experience than others.



with TrueVivid™

without TrueVivid™

## New Generation of BrilliantColor™



BrilliantColor™ is a Texas Instruments technology, which uses innovations in image processing to improve the optical efficiency of DLP® projection systems. BrilliantColor™ allows the usage of a more advanced image processing algorithm and enables the usage of more colors on the color wheel, than the standard Red, Green, Blue and White segments. New BrilliantColor™ technology enables higher brightness levels by boosting mid-tone colors, resulting in more vibrant, precisely accurate colours projected on the screen.

## 10 bit Color Processing

The new 10 bit color processing technology increases the number of colors that can be display from 134.2 million to over 1073 million, presenting more natural & vibrant pictures.



natural, rich looking colors

un-natural looking images

Available from:



[www.optoma.com](http://www.optoma.com)

All Specifications are subject to change without notice.  
© 2009, Optoma Corporation. DLP® and the DLP® medallion are trademarks of Texas Instruments.  
All other names mentioned herein are property of their respective owners.